

MGP8(8进8出 多功能旋转接头/滑环)

订购型号说明

MGP81-ID12-VC

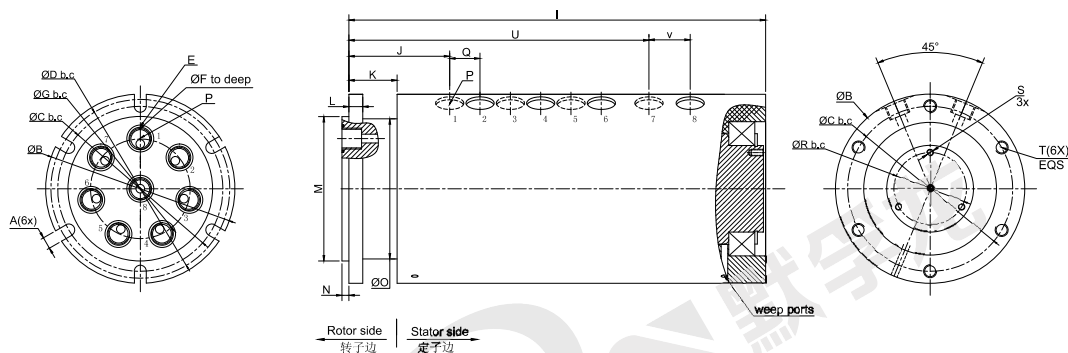
MGP:紧凑型多功能旋转接头

2: 2进2出

1: 接口尺寸, 1=G1/8", 2=G1/4", 3=G3/8"
4=G1/2", 5=G5/8", 6=G3/4", 8=G1", 10=G(1+1/4")产品等级代号
VC 通用级产品等级
VD 工业级产品等级
默认省略=VC通用级产品等级

ID12: 内孔12mm

MGP8 (多功能旋转接头) 尺寸图



选型表

MGP8系列选型表

型号	通道数	接口尺寸	内孔尺寸	压力范围	型号	通道数	接口尺寸	内孔尺寸	压力范围
MGP81	8进8出	G1/8"	N/A	0-50MPa	MGP83	8进8出	G3/8"	N/A	0-50MPa
MGP82	8进8出	G1/4"	N/A	0-50MPa	MGP84	8进8出	G1/2"	N/A	0-50MPa

Size	MGP81	MGP82	MGP83	MGP84
A	7.14mm	9mm	9mm	9.0mm
B	87.3095mm	107.95mm	125.40mm	142.88mm
C	76.20mm	92.08mm	109.52mm	127.00mm
D	82.55mm	100.008mm	117.4500mm	133.25mm
E	2-015 O-Ring [14.00mm]	2-017 O-Ring [17.17mm]	2-019 O-Ring [20.35mm]	2-023 O-Ring [26.70mm]
F	4.0mm	6.4mm	9.53mm	12.7mm
G	46.02mm	53.98mm	63.50mm	73.03mm
H	N/A	N/A	N/A	N/A
I	190.2mm	244.1mm	227.7mm	316.2mm
J	58.9mm	70.4mm	77.9mm	83.5mm
K	30.1mm	33.3mm	41.3mm	42.8mm
L	7.92mm	7.92mm	9.53mm	11.10mm
M	66.7mm	79.38mm	92.08mm	107.95mm
N	3.18mm	3.18mm	4.75mm	4.75mm
O	64.72mm	74.20mm	91.44mm	101.60mm
P	G1/8"	G1/4"	G3/8"	G1/2"
Q	14mm	17.5mm	20.60mm	24.56mm
R	34.9	34.9	34.9	N/A
S	M5x0.8	M5x0.8	M5x0.8	N/A
T	M6x1.0	M8x1.25	M8x1.25	M8x1.25
U	N/A	118.0mm	207.1mm	236.4mm
V	N/A	23.06mm	23.16mm	30.12mm